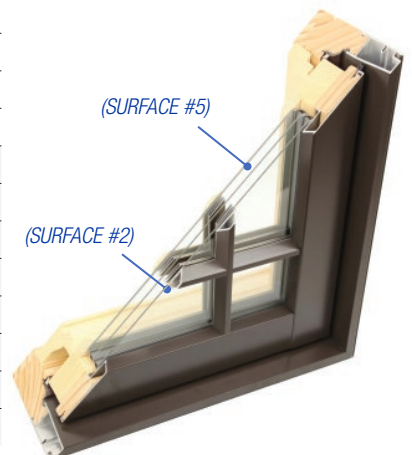




Pinnacle Select Triple Insulated Glass Glazing Option

Product	Glass Type	Name	LoE	Gas Fill	U-Factor	SHGC	VT
Select Casement	1 1/4" Triple	LoE 366	366 / 180 / CLR	Air	0.24	0.17	0.37
	1 1/4" Triple	LoE 366	366 / 180 / CLR	Argon	0.22	0.16	0.37
	1 1/4" Triple	LoE 180	180 / 180 / CLR	Air	0.25	0.37	0.45
	1 1/4" Triple	LoE 180	180 / 180 / CLR	Argon	0.22	0.37	0.45
	1 1/4" Triple	Triple LoE	272 / 180 / i89	Air	0.23	0.24	0.40
	1 1/4" Triple	Triple LoE	272 / 180 / i89	Argon	0.21	0.24	0.40
	1 1/4" Triple	Triple LoE HS	180 / 180 / i89	Air	0.23	0.35	0.44
	1 1/4" Triple	Triple LoE HS	180 / 180 / i89	Argon	0.21	0.35	0.44
Select Awning	1 1/4" Triple	LoE 366	366 / 180 / CLR	Air	0.24	0.17	0.37
	1 1/4" Triple	LoE 366	366 / 180 / CLR	Argon	0.22	0.16	0.37
	1 1/4" Triple	LoE 180	180 / 180 / CLR	Air	0.24	0.37	0.45
	1 1/4" Triple	LoE 180	180 / 180 / CLR	Argon	0.22	0.37	0.45
	1 1/4" Triple	Triple LoE	272 / 180 / i89	Air	0.22	0.24	0.40
	1 1/4" Triple	Triple LoE	272 / 180 / i89	Argon	0.20	0.24	0.40
	1 1/4" Triple	Triple LoE HS	180 / 180 / i89	Air	0.23	0.35	0.44
	1 1/4" Triple	Triple LoE HS	180 / 180 / i89	Argon	0.21	0.35	0.44
Select Casement Picture	1 1/4" Triple	LoE 366	366 / 180 / CLR	Air	0.23	0.20	0.43
	1 1/4" Triple	LoE 366	366 / 180 / CLR	Argon	0.20	0.19	0.43
	1 1/4" Triple	LoE 180	180 / 180 / CLR	Air	0.23	0.42	0.53
	1 1/4" Triple	LoE 180	180 / 180 / CLR	Argon	0.20	0.42	0.53
	1 1/4" Triple	Triple LoE	272 / 180 / i89	Air	0.20	0.27	0.47
	1 1/4" Triple	Triple LoE	272 / 180 / i89	Argon	0.18	0.27	0.47
	1 1/4" Triple	Triple LoE HS	180 / 180 / i89	Air	0.21	0.40	0.52
	1 1/4" Triple	Triple LoE HS	180 / 180 / i89	Argon	0.18	0.40	0.52
Clad Direct Set	1 1/4" Triple	LoE 366	366 / 180 / CLR	Air	0.23	0.21	0.48
	1 1/4" Triple	LoE 366	366 / 180 / CLR	Argon	0.20	0.21	0.48
	1 1/4" Triple	LoE 180	180 / 180 / CLR	Air	0.24	0.47	0.59
	1 1/4" Triple	LoE 180	180 / 180 / CLR	Argon	0.20	0.47	0.59
	1 1/4" Triple	Triple LoE	272 / 180 / i89	Air	0.21	0.30	0.52
	1 1/4" Triple	Triple LoE	272 / 180 / i89	Argon	0.19	0.30	0.51
	1 1/4" Triple	Triple LoE HS	180 / 180 / i89	Air	0.21	0.44	0.58
	1 1/4" Triple	Triple LoE HS	180 / 180 / i89	Argon	0.19	0.44	0.58
Clad Radius	1 1/4" Triple	LoE 366	366 / 180 / CLR	Air	0.21	0.22	0.50
	1 1/4" Triple	LoE 366	366 / 180 / CLR	Argon	0.18	0.22	0.50
	1 1/4" Triple	LoE 180	180 / 180 / CLR	Air	0.22	0.48	0.61
	1 1/4" Triple	LoE 180	180 / 180 / CLR	Argon	0.18	0.48	0.61
	1 1/4" Triple	Triple LoE	272 / 180 / i89	Air	0.19	0.32	0.54
	1 1/4" Triple	Triple LoE	272 / 180 / i89	Argon	0.16	0.32	0.54
	1 1/4" Triple	Triple LoE HS	180 / 180 / i89	Air	0.19	0.46	0.60
	1 1/4" Triple	Triple LoE HS	180 / 180 / i89	Argon	0.16	0.46	0.60

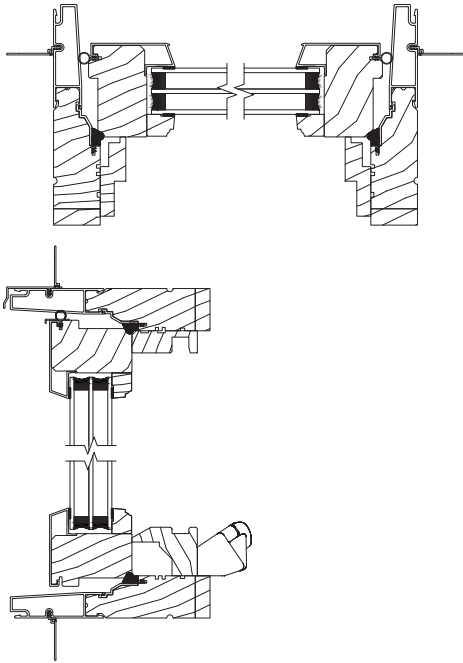
- Select windows are constructed with 2-5/16" wide stiles and rails that add structural stability and provide a more massive architectural appearance
- A robust 2-7/16" thick sash adds dimension and strength and will accommodate a 1-1/4" triple IG unit
- Double mortise and tenon sash joints are fastened with screws for strength and stability
- LoE, LoE obscure, LoE reed, LoE rain, LoE glue chip and LoE satin etch glass options are available
- Size limitations on Select windows with triple IG:
 - Casement operating and push-out: up to 3678 frame size
 - Awning: up to 4836 frame size
 - Casement picture: up to 7278 frame size
- Select windows ordered with triple IG are available with the same options and features as standard Select products
- Triple IG is also available in Pinnacle clad direct set and radius products



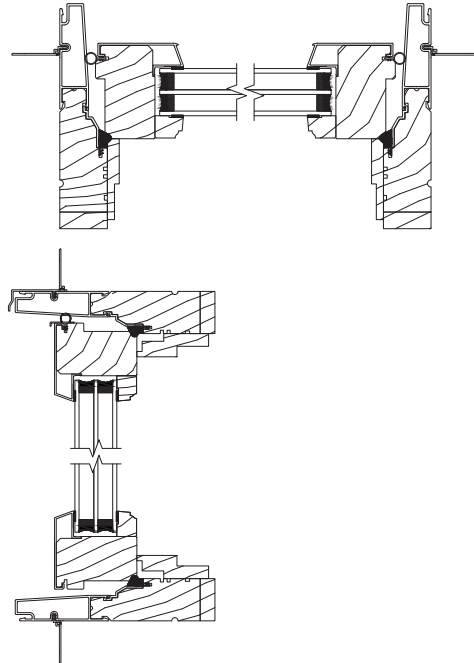
Operating casement and awning values are calculated with 3.1mm glass and fixed units, direct set and radius values are calculated with 3.9mm glass in the IG unit.



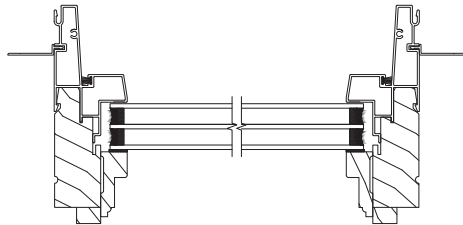
Crank-out



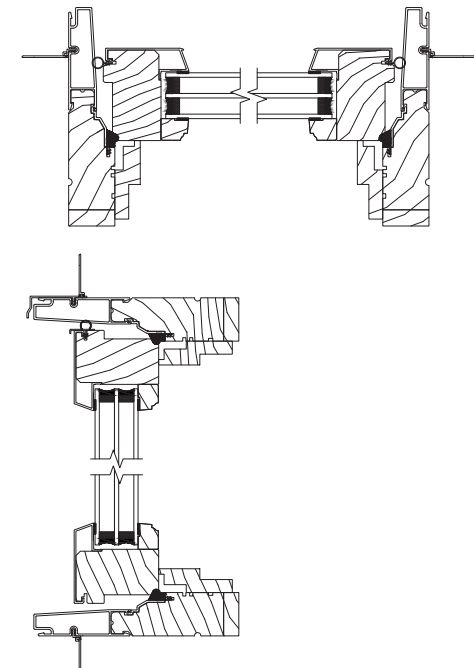
Push-out



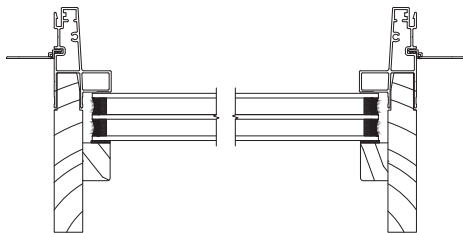
Direct Set



Picture

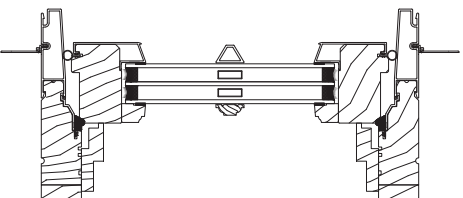


Radius



Triple IG Unit with WDL

WDL inner bar in both air spaces



Triple IG Unit with Inner Grille

Inner grille in exterior air space

