



**WINDSOR**  
WINDOWS & DOORS

# REVIVE™

Sash Replacement Kits



# Windsor Revive™ Sash Replacement Kits

Three easy steps to install your new windows.



## Replace old, drafty, inefficient double hung sashes with energy-efficient, dual pane sashes.

Windsor's Revive Sash Replacement Kits make it easy. Each kit allows you to keep your existing interior trim and plaster in place. In addition, you have a choice of three replacement sashes: versatile primed wood; durable aluminum clad or; long-lasting, hassle-free cellular PVC. All sash options feature EZ Tilt for fast access and effortless cleaning. No matter your choice of Revive Sash Replacement Kit, you'll instantly improve the beauty, energy efficiency and upkeep of your home's windows.

### STEP ONE: Measure Opening



### STEP TWO: Remove Old Sash



### STEP THREE: Install New Sash



**Quick and minimally  
invasive installation**

*Note: Windsor's Revive sash replacement kits are designed to replace wood double hung windows. The wood side jamb pocket depth between the inside stop and the outside stop **MUST** measure at least 3-3/8" to accommodate the Revive sash replacement jambliner and clip.*

# How to Measure

## Width

- [1] Measure the width of the window sash opening being replaced.
- [2] Measure from the innermost points between the jambs (see photo).
- [3] Measure between the jambs at the following spots: top, middle and bottom (see photo).
- [4] Be sure you are measuring from jamb to jamb, not at the stops.
- [5] Write down the smallest of the three width measurements on the order form.
- [6] These measurements should be approximately 4" wider than the glass width.



## Height

- [7] Measure the height of the window sash opening being replaced (see photo).
- [8] Measure from the top jamb to where the exterior of the bottom sash sits on the sill when fully closed.
- [9] Measure at the left side, right side and middle.
- [10] Write down the smallest of the three height measurements on the order form.
- [11] These measurements should normally be about 6" greater than double the glass height.



## Sill

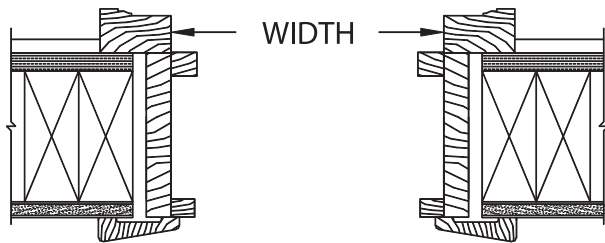
- [12] Check the sill angle with a carpenter's protractor or sill angle measuring tool available at most hardware stores (see photo).
- [13] Windsor's standard sill angle is 14°. Any sill angle other than standard must be specified on the order form (between 10° and 20°).



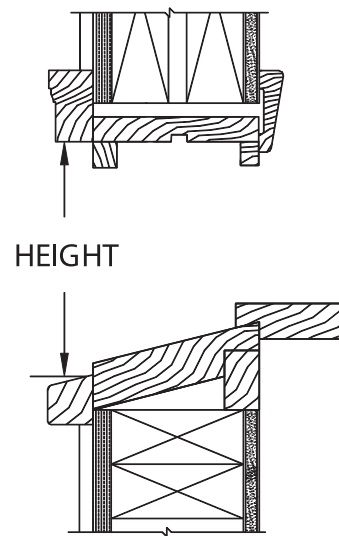


# Screen Measurements

1. Measure screen opening width. Measure the distance between brickmould as shown. Then, subtract 1/8" to get actual screen width. For example, if brickmould width is 24", the screen width will be 23-7/8".



2. Measure screen opening height. Measure the vertical distance between bottom of brickmould and top of sill nose. Then, subtract 1/8" to get actual screen height. For example, if the brickmould-to-sill nose height is 48", then the screen height is 47-7/8".



3. Drill for screen plungers. Mark all four locations of the screen plungers on the brickmould. Drill 1/4" diameter holes into the brickmould.

# Revive Sash Replacement Kit

# Sizing Worksheet

Name: \_\_\_\_\_ Date: \_\_\_\_\_

Address: \_\_\_\_\_

City: \_\_\_\_\_ State: \_\_\_\_\_ ZIP: \_\_\_\_\_

Room Name	Kit Quantity	Sash Opening	Glass Size	Screen Size	Other Information

# Sash Replacement Features

Options	Primed Wood	Aluminum Clad	Cellular PVC
3/4" LoE 366 Insulated Glass	Yes	Yes	Yes
Weatherstrip Points	4	4	4
Factory-installed Locks	Champagne, white, bronze, black, faux bronze, oil rubbed bronze, satin nickel or bright brass	Champagne, white, bronze, black, faux bronze, oil rubbed bronze, satin nickel or bright brass	Champagne, white, bronze, faux bronze or satin nickel
Exterior Finish	Primed wood	23 standard colors, 20 feature colors or 7 matte colors	White CPVC
Interior Finish	Clear Select Pine, primed or painted white	Clear Select Pine, Douglas Fir, Natural Alder, primed, painted white, painted black, painted gray, 8 stains or clear coat	White CPVC
Adjustable Vinyl Jambliners	White or beige	White or beige	White
Sill Bevel	14°	14°	14°
Standard Sizes	84	84	72
EZ Tilt Feature	Yes	Yes	Yes
Block & Tackle Balance System	Yes	Yes	Yes

## Upgrades

Custom Sizes <sup>1</sup>	Yes	Yes	Yes
Primed Interior	Yes	Yes	Standard
Tempered or Tinted Glass <sup>2</sup>	Yes	Yes	Yes
Heavy-duty Insect Screen <sup>3</sup>	23 standard colors, 20 feature colors or 7 matte colors		
Custom Sill Bevels (Jambliners Only) <sup>4</sup>	Yes	Yes	Yes

## Grilles

13/16" Flat Inner Grille (GBG, GIA)	White, ivory, tan, bronze, hunter green, cinnamon, black or clay		
3/4" Profiled Inner Grille	White, ivory, tan, bronze, hunter green, cinnamon, black or clay		
1" Profiled Inner Grille	White, ivory, tan, bronze, hunter green, cinnamon, black or clay		
Standard Windsor Divided Lite (Simulated Divided Lite)	<b>Exterior:</b> 7/8" or 1-1/4" CPVC; <b>Interior:</b> Clear Select Pine	<b>Exterior:</b> 7/8" or 1-1/4" extruded aluminum; <b>Interior:</b> Clear Select Pine, Douglas Fir or Natural Alder	<b>Exterior:</b> 7/8" or 1-1/4" CPVC; <b>Interior:</b> CPVC
Putty Windsor Divided Lite (Simulated Divided Lite)	<b>Exterior:</b> 5/8" or 7/8" CPVC; <b>Interior:</b> Clear Select Pine	<b>Exterior:</b> 5/8" or 7/8" extruded aluminum; <b>Interior:</b> Clear Select Pine, Douglas Fir or Natural Alder	<b>Exterior:</b> 5/8" or 7/8" CPVC; <b>Interior:</b> CPVC
Removable Wood Perimeter	7/8" or 1-1/4" Clear Select Pine	7/8" or 1-1/4" Clear Select Pine	No

1. Custom sizes in 1/4" increments. Kit may be adjusted to fit sash opening width 1/4" (max.) wider than standard size, via jambliner adjustment. The sash opening height cannot vary from standard. Openings larger than standard must be shimmed to standard size; smaller heights must be ordered as custom size.
2. Other glass options available; contact your Windsor distributor/dealer.
3. The insect screen is constructed of painted aluminum. Screen size ordered separate of the sash. The screen utilizes plungers, which need to engage grommets/holes in the exterior trim to hold the screen in place. These grommets/holes need to be installed on site and are not included.
4. Must specify bevel: 10° minimum/20° maximum.

# Standard Sizes

Glass Size	Sash Opening	Standard Lite Pattern	Glass Size	Sash Opening	Standard Lite Pattern	Glass Size	Sash Opening	Standard Lite Pattern
1614	1-8 x 2-10	4 over 4	2614	2-6 x 2-10	6 over 6	3214	3-0 x 2-10	6 over 6
1616	1-8 x 3-2	4 over 4	2616	2-6 x 3-2	6 over 6	3216	3-0 x 3-2	6 over 6
1620	1-8 x 3-10	4 over 4	2620	2-6 x 3-10	6 over 6	3220	3-0 x 3-10	6 over 6
1622	1-8 x 4-2	4 over 4	2622	2-6 x 4-2	6 over 6	3222	3-0 x 4-2	6 over 6
1624	1-8 x 4-6	4 over 4	2624	2-6 x 4-6	6 over 6	3224	3-0 x 4-6	6 over 6
1626	1-8 x 4-10	4 over 4	2626	2-6 x 4-10	6 over 6	3226	3-0 x 4-10	6 over 6
1628	1-8 x 5-2	4 over 4	2628	2-6 x 5-2	6 over 6	3228	3-0 x 5-2	6 over 6
1630	1-8 x 5-6	4 over 4	2630	2-6 x 5-6	6 over 6	3230	3-0 x 5-6	6 over 6
1632	1-8 x 5-10	6 over 6	2632	2-6 x 5-10	9 over 9	3232	3-0 x 5-10	9 over 9
1634	1-8 x 6-2	6 over 6	2634	2-6 x 6-2	9 over 9	3234	3-0 x 6-2	9 over 9
1636	1-8 x 6-6	6 over 6	2636	2-6 x 6-6	9 over 9	3236	3-0 x 6-6	9 over 9
1624/36 Cottage	1-8 x 5-6	4 over 6	2624/36 Cottage	2-6 x 5-6	6 over 9	3224/36 Cottage	3-0 x 5-6	6 over 9
1636/24 Oriel	1-8 x 5-6	6 over 4	2636/24 Oriel	2-6 x 5-6	9 over 6	3236/24 Oriel	3-0 x 5-6	9 over 6
2014	2-0 x 2-10	4 over 4	2814	2-8 x 2-10	6 over 6	3614	3-4 x 2-10	8 over 8
2016	2-0 x 3-2	4 over 4	2816	2-8 x 3-2	6 over 6	3616	3-4 x 3-2	8 over 8
2020	2-0 x 3-10	4 over 4	2820	2-8 x 3-10	6 over 6	3620	3-4 x 3-10	8 over 8
2022	2-0 x 4-2	4 over 4	2822	2-8 x 4-2	6 over 6	3622	3-4 x 4-2	8 over 8
2024	2-0 x 4-6	4 over 4	2824	2-8 x 4-6	6 over 6	3624	3-4 x 4-6	8 over 8
2026	2-0 x 4-10	4 over 4	2826	2-8 x 4-10	6 over 6	3626	3-4 x 4-10	8 over 8
2028	2-0 x 5-2	4 over 4	2828	2-8 x 5-2	6 over 6	3628	3-4 x 5-2	8 over 8
2030	2-0 x 5-6	4 over 4	2830	2-8 x 5-6	6 over 6	3630	3-4 x 5-6	8 over 8
2032	2-0 x 5-10	6 over 6	2832	2-8 x 5-10	9 over 9	3632	3-4 x 5-10	12 over 12
2034	2-0 x 6-2	6 over 6	2834	2-8 x 6-2	9 over 9	3634	3-4 x 6-2	12 over 12
2036	2-0 x 6-6	6 over 6	2836	2-8 x 6-6	9 over 9	3636	3-4 x 6-6	12 over 12
2024/36 Cottage	2-0 x 5-6	4 over 6	2824/36 Cottage	2-8 x 5-6	6 over 9	3624/36 Cottage	3-4 x 5-6	8 over 12
2036/24 Oriel	2-0 x 5-6	6 over 4	2836/24 Oriel	2-8 x 5-6	9 over 6	3636/24 Oriel	3-4 x 5-6	12 over 8
2414	2-4 x 2-10	6 over 6	3014	2-10 x 2-10	6 over 6	4014	3-8 x 2-10	8 over 8
2416	2-4 x 3-2	6 over 6	3016	2-10 x 3-2	6 over 6	4016	3-8 x 3-2	8 over 8
2420	2-4 x 3-10	6 over 6	3020	2-10 x 3-10	6 over 6	4020	3-8 x 3-10	8 over 8
2422	2-4 x 4-2	6 over 6	3022	2-10 x 4-2	6 over 6	4022	3-8 x 4-2	8 over 8
2424	2-4 x 4-6	6 over 6	3024	2-10 x 4-6	6 over 6	4024	3-8 x 4-6	8 over 8
2426	2-4 x 4-10	6 over 6	3026	2-10 x 4-10	6 over 6	4026	3-8 x 4-10	8 over 8
2428	2-4 x 5-2	6 over 6	3028	2-10 x 5-2	6 over 6	4028	3-8 x 5-2	8 over 8
2430	2-4 x 5-6	6 over 6	3030	2-10 x 5-6	6 over 6	4030	3-8 x 5-6	8 over 8
2432	2-4 x 5-10	9 over 9	3032	2-10 x 5-10	9 over 9	4032	3-8 x 5-10	12 over 12
2434	2-4 x 6-2	9 over 9	3034	2-10 x 6-2	9 over 9	4034	3-8 x 6-2	12 over 12
2436	2-4 x 6-6	9 over 9	3036	2-10 x 6-6	9 over 9	4036	3-8 x 6-6	12 over 12
2424/36 Cottage	2-4 x 5-6	6 over 9	3024/36 Cottage	2-10 x 5-6	6 over 9	4024/36 Cottage	3-8 x 5-6	8 over 12
2436/24 Oriel	2-4 x 5-6	9 over 6	3036/24 Oriel	2-10 x 5-6	9 over 6	4036/24 Oriel	3-8 x 5-6	12 over 8

**Legend windows are not available in 40" glass size (3-8 sash opening width)**

- **Standard Sizes:** Order by glass size or sash opening size
- **Custom Sizes:** Order by sash opening size
- **Screens:** Must be ordered at the same time as sash replacement kit



CONNECT WITH US



900 South 19th Street, West Des Moines, IA 50265 • 515.223.6660 • 800.218.6186  
2210 Stafford Street Extension, Monroe, NC 28110 • 704.283.7459 • 800.205.5665

[www.windsorwindows.com](http://www.windsorwindows.com)

A WOODGRAIN COMPANY

© 2023 Woodgrain Millwork Inc. Woodgrain Millwork, Windsor, the Windsor Lion logo, Next Dimension and Legend are registered trademarks of Woodgrain Millwork Inc. Windsor Windows & Doors, Pinnacle, Revive and Redstone are trademarks of Woodgrain Millwork Inc.



*Windsor Windows & Doors is an ENERGY STAR® partner and an NFRC and WDMA member. Windsor products are certified and labeled according to the guidelines established by the National Fenestration Rating Council (NFRC).*