

### Step 3: Install Cable Kit

- Mount the the Grip-Tite cleats to the framing of the house. These can be mounted either to the wall or the rafters as shown on the "Cable Mounting Diagram" on the previous page.
- Feed the cable down through the tops of window mullions rod-end first as shown below.
- Put a flat washer and hex nut on the end of threaded rod portion. Twist hex nut approximately 1/2" past the end of the rod.
- Pull cables tight and wrap them around each cleat. Tighten and minimize loop (see cleat detail on pg. 3). Cut off excess cable if necessary.

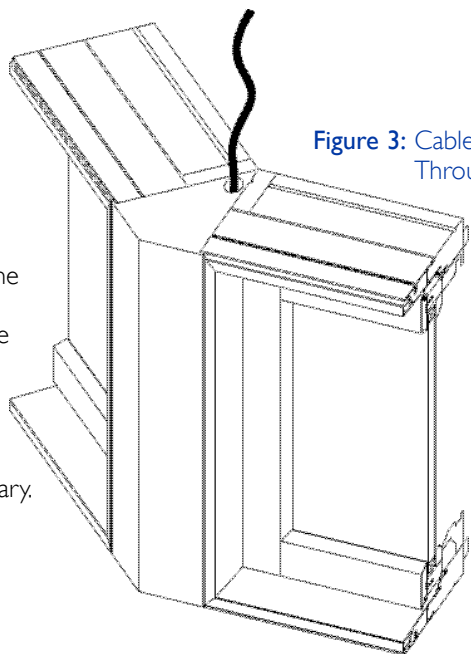


Figure 3: Cable Assembly Through Window

### Step 4: Remove Support Braces

- Carefully remove the jack and support braces to seat cables.
- Check the window to ensure it is level. If it is not level, use jack to take the weight off of the cable and tighten or loosen the nut accordingly.
- Repeat until window is level.
- Add second hex nut to each threaded rod and tighten against first hex nut.

### WARNING!

For upward adjustment, never lift unit by tightening cable hex nut. Always use jack and temporary braces to lift unit before adjusting hex nut.

Installation is complete!



**WINDSOR**  
WINDOWS & DOORS  
A Woodgrain Millwork Company

Excellent Choice

West Des Moines, Iowa  
Monroe, North Carolina  
[www.windsorwindows.com](http://www.windsorwindows.com)  
1-800-218-6186



**WINDSOR**  
WINDOWS & DOORS  
A Woodgrain Millwork Company

Excellent Choice

# WINDSOR WINDOWS & DOORS

ANGLE BAY CABLE KIT INSTALLATION

[WWW.WINDSORWINDOWS.COM](http://WWW.WINDSORWINDOWS.COM)

## Angle Bay Cable Kit Installation

Please follow these instructions for a simple, effective way to install and support bow and bay windows of all shapes and sizes. This cable kit is designed for use on many types of wall and roof structures, and can be used on any projection window purchased from Windsor. The Grip-Tite™ cleat provides a no-slip feature that locks the cable into place. It will not slip, and eliminates potential sagging problems.

### IMPORTANT!

- To use this kit on Pinnacle and Legend windows, they must be ordered with a factory "Cable Kit Prep." The prep includes applying a conduit pipe through the mullions before the mull cavities are filled with insulation.
- Angle bay and bow windows must be suspended from above by using this cable kit or supported from below (by using knee brackets, etc). Failure to properly install and support your window will void the warranty.
- These instructions cover installation of the cable kit only. Procedures for proper installation, sealing, and flashing of the window itself are on the window label.

### Tools Needed:

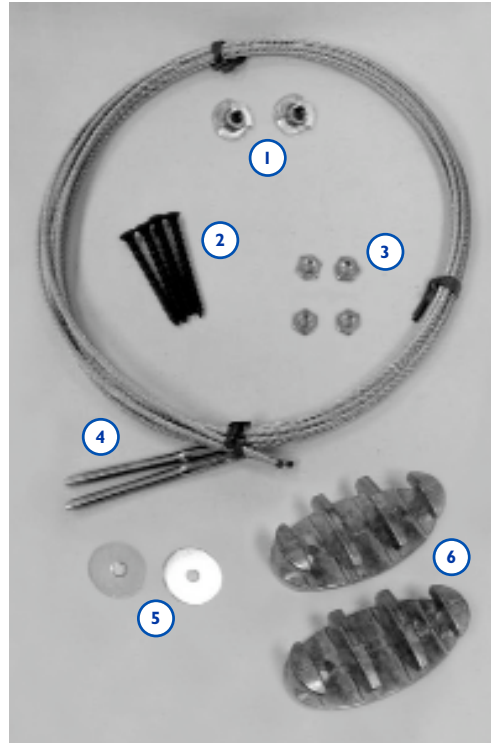
- 1. Floor Jack** – This is used to raise the window up into position.
- 2. Two Support Braces** (or saw horses) – These are used underneath the window to support it until cables are installed.
- 3. Level** – Needed for plumb, square, and level window installation.
- 4. No. 2 Phillips Screwdriver** (or Screw Gun) – Used to anchor the cleats.
- 5. 1/2" Hex Wrench** (or Ratchet) – Used to tighten nuts at bottom of cable rod.
- 6. Drill and 1/2" Drill Bit** – To drill access holes into head and seat board (Vinyl windows only).
- 7. Hammer** – Used to seat T-nuts (if used).
- 8. Hack Saw** (or bolt cutters) – To cut cable.

### WARNING!

- Always use the proper tools when installing window units.
- Angle bay windows can be very heavy. You will need several people to install this window.
- Use caution when lifting and setting window into position.
- Make sure that temporary bracing is stable and secure.
- Use wood blocking between the floor jack and the ground.

## Parts List

Before you begin, please check to make sure your kit includes all of the items listed below. If you are missing any items, please contact your local dealer:



1. (2) T-nuts\*
2. (4) 2 1/2" Wood Screws
3. (4) 1/4" Hex Nuts
4. (2) 9' Support Cables
5. (2) Washers
6. (2) Grip-Tite™ Cleats

#1000 Cable Kit (Part Number: K570000)

\*T-nuts are used for vinyl windows only

## Installation Instructions

### Step 1: Drill Holes Into Head and Seat Board (For vinyl windows only)

- Carefully set the window interior-side-down on a flat, level surface.
- Measure and drill (4) 1/2" diameter x 4" deep holes through the head and seat board (2 in the head board and 2 in the seat board).
- Refer to the drawing below for location of the holes. The dimensions shown are based off of the exterior corner of the wood head and seatboard.
- Using a hammer, pound the T-nuts into the two holes in the head board.

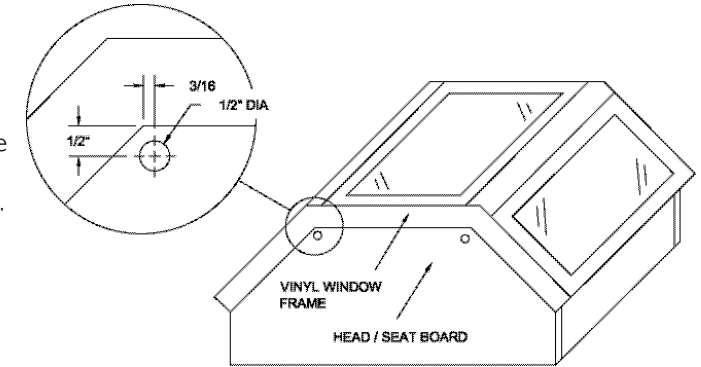


Figure 1: Drilling Diagram

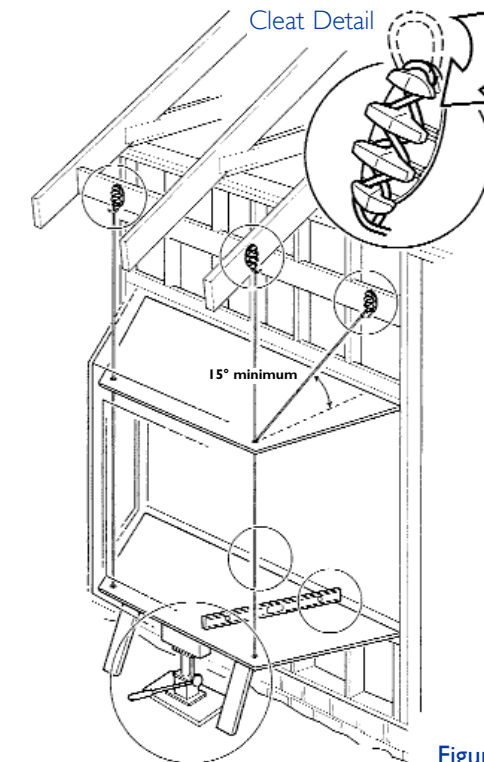


Figure 2: Cable Mounting Diagram

### Step 2: Set Window Unit Into Position

- Prepare rough opening. Make sure it is square, level, and clear of any debris.
- With the help of at least two other people, place the window unit into position.
- Support the bottom of the window by using temporary braces as shown at right.
- Using a floor jack and a level, adjust the position of the window so it is level (side-to-side) and plumb.
- Raise the window slightly above the level position (1/8" to 1/4").