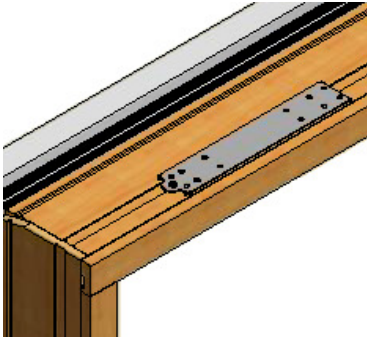


Supplemental Installation Instructions

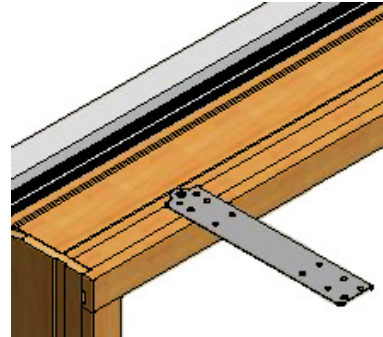
*For use with the following options:
Applied Installation Straps
Slimline Exterior Casing
Clad/Wood windows without nailfin*

The following instructions have been developed to provide additional guidance for more specialized window installations. All instructions listed here should be referenced *in addition to* those that came attached to the window label.

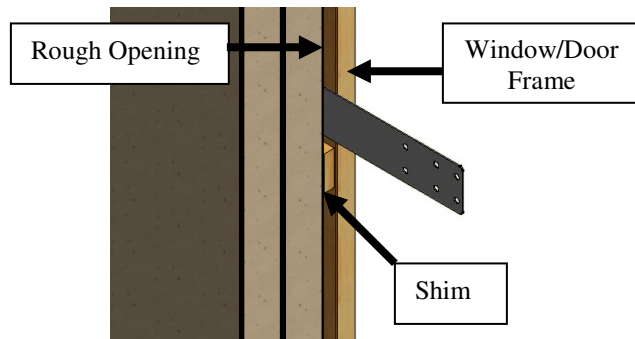
Applied Installation Straps:



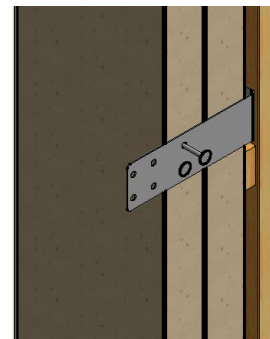
1.) Identify Factory Applied Straps



2.) Rotate straps 90° and install into opening



3.) Shim at each strap



4.) Fasten with 2" galvanized nails (2 per strap)

Slimline Casing or Clad/Wood Windows without Nailfin:

