

HOPPE Cylinders Rekeying Instructions



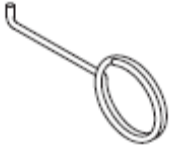
Introduction

Rekeying should be done by a qualified locksmith.

Cylinder designs vary.

HOPPE cylinders feature Schlage® SC1 keyways and may be rekeyed using Schlage® rekey kits

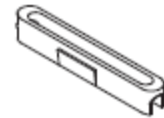
Recommended Tools and Accessories



REMOVAL TOOL for PLASTIC INSERT
Part Number 2000899
(for use with selected cylinder designs)



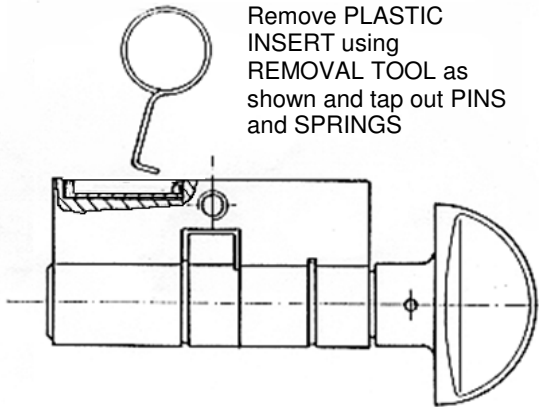
2 mm or 5/64" HEX WRENCH
(for use with selected cylinder designs)



PLASTIC INSERT
Part Number 8771719
(for use with selected cylinder designs)

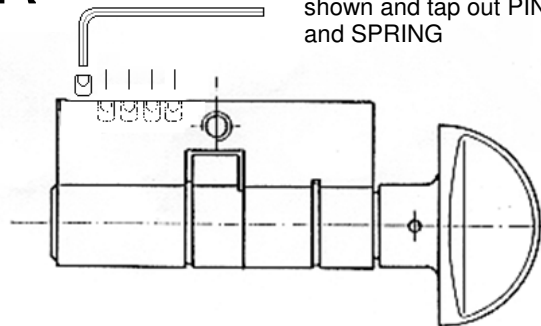
Steps to Rekey

1.



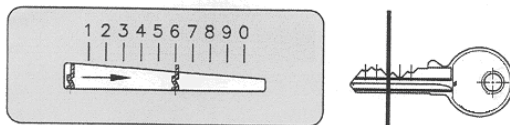
Remove PLASTIC INSERT using REMOVAL TOOL as shown and tap out PINS and SPRINGS

OR



Remove one SET SCREW at a time using 2 mm HEX WRENCH as shown and tap out PINS and SPRING

2.



Determine CORE PIN size with KEYING GAUGE

3.

- Insert desired CORE PIN into the appropriate cylinder pin hole.
 - Note: for cylinder designs featuring six pin holes, the innermost hole (furthest from the key face) is left blank.
- Insert HOUSING PIN
- Insert SPRING
- Repeat until all PINS have been replaced and install PLASTIC INSERT **OR** install SET SCREW and repeat until all PINS have been replaced.

