



WINDSOR
WINDOWS & DOORS
A Woodgrain Millwork Company

PINNACLE CASEMENT SASH Stationary / Picture Sash Removal And Replacement Instructions.

With the new metal connector bracket being used to attach the sash to the frame, there is a new technique to more easily remove the sash from the frame. The method is explained below:

Interior Replacement Using Connector Bracket:

[Units produced 09/01/07 & after]

Tools needed:

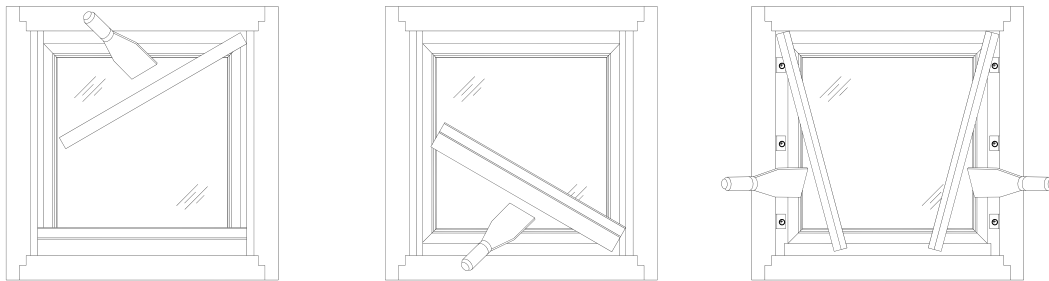
- Screw gun with Phillips head
- 2” steel bladed putty knife or “L” shaped pry bar.
Such as a Vaughn Super bar or blue bar.
This should be a high quality knife with a solid steel shank through the handle.
- Glass suction cups. (Optional)

The brackets are 1” wide with holes in both ends to attach the sash to the frame. These brackets are hidden behind the inside stops on stationary units and picture units. In order to remove sash the wood inside stops must be removed to expose brackets.

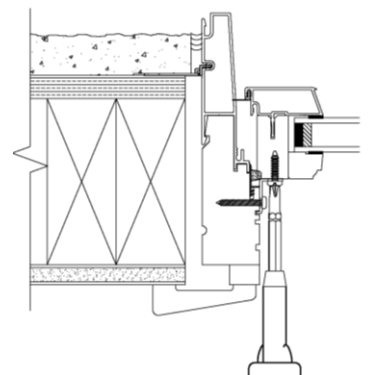
1a. Measure replacement sash to ensure size is correct.

1b. To remove a sash, start by carefully removing inside stops with putty knife or pry bar. Begin with head stop, then sill stop and finally remove side stops. (see Fig. 1)

Fig. 1



2. After stops have been removed, start at bottom of unit and remove screws with screw gun that attach the brackets to the sash. (see Fig 2.) Leave at least one screw in per side of unit towards the top to keep sash from falling out of opening. **(You do not need to remove screws that hold brackets onto frame.)**
3. Place suction cup(s) on the IG unit if it is still whole. While holding onto suction cup(s) remove remaining screws. Slowly push the sash out of the frame, turn and bring sash back through window. You can have another person help you if suction cups are not available.
4. If the IG unit has been broken, or is missing, a pry bar can be carefully inserted between the sash and the interior stops to assist in removing the sash.



5. To install a new sash, place sash into the frame in the opposite manner as removal.
6. Push the sash tightly to the interior until it bottoms out on brackets.
7. While keeping pressure against the sash, use the screw gun to reattach the sash to the brackets using screws from sash removal.