

Pinnacle Clad Zero mull Installation

<u>Parts Needed</u>	<u>Tools Needed</u>	<u>Materials Needed</u>
<ul style="list-style-type: none"> • Exterior Mull Cover • Interior Mull Cover • Nail Fin • Drip Cap 	<ul style="list-style-type: none"> • Hammer • UHMW/Wooden Block • Tape Measure & Saw • Chisel • Clamp • Silicone, Nail, and Staple Gun 	<ul style="list-style-type: none"> • 100% Silicone • Corrugated Staples (1/2") • 2" Nails • Gusset Plate • 1/2", 16 gauge staples

Zero Mull Construction

- A. Apply 3/16" silicone bead between mull units, in the nail fin groove and on both edges going toward the exterior of the unit (figure 1).
- B. Push the units together squeezing out silicone on the edge of the frame and clamp the units together (figure 2).

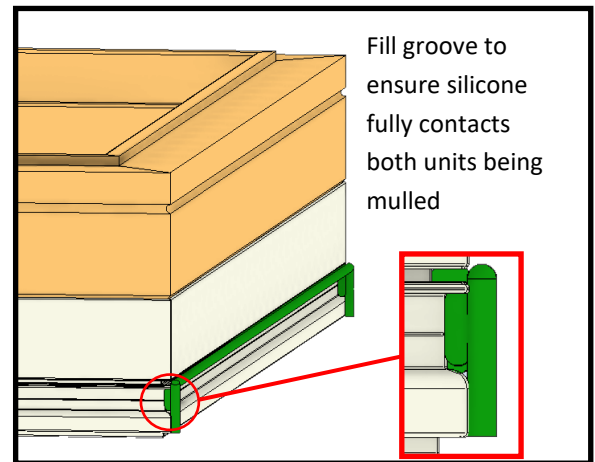


Figure 1

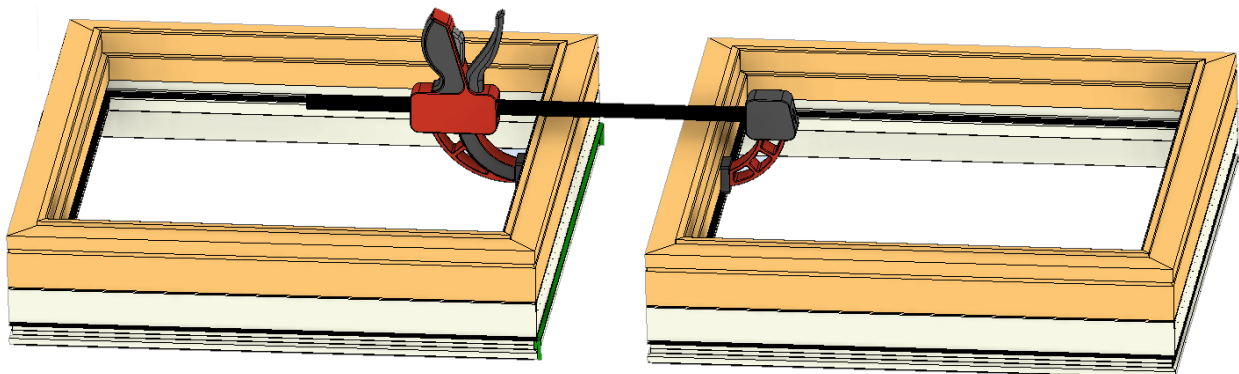


Figure 2

Zero Mull Construction

C. Apply corrugated staples 3" from ends of mull and 6"- 8" spaced down the length of the mull securing the units together (figure 3).

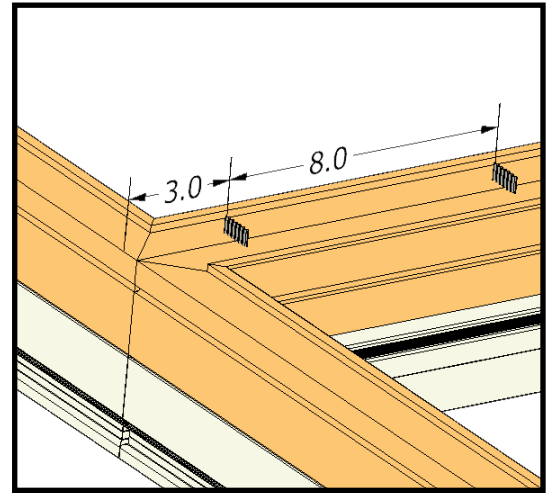


Figure 3

D. Measure, Cut, and nail inside mull cover, with finishing nails, 3" from frames edge and every 8"-10" down the length of the mull, then turn the unit clad side up (figure 4).

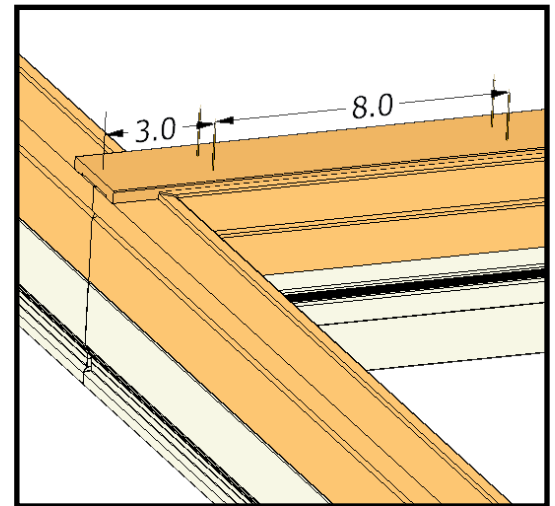


Figure 4

E. Prepare accessory grooves for mull cover. Using a chisel, notch out Metal for a continuous vertical mull cover and. (figure 5).

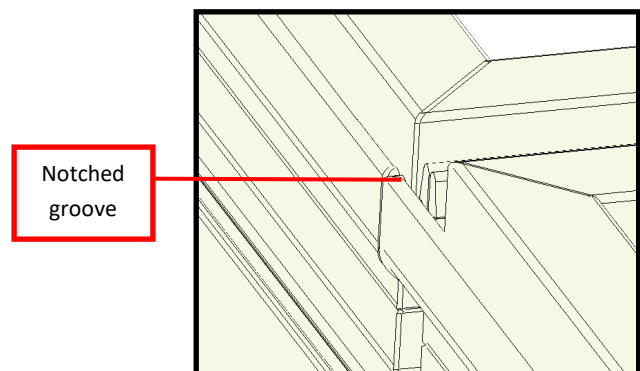


Figure 5

Zero Mull Construction

- For nail fin, drip cap, and end cap installation information click [Here](#)

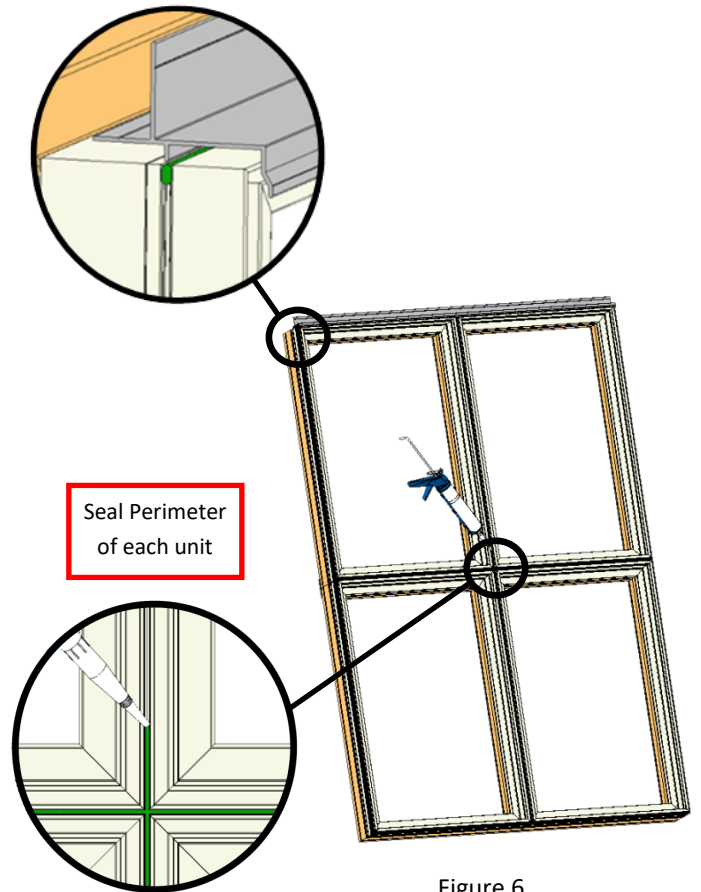


Figure 6

- G. Apply 3/16" bead silicone down the full length of the accessory groove on all mulls.
H. Tool in 3 and 4 way intersection

- I. Using a hammer and UHMW/wooden block, hammer the mull cover flush with the frame exterior (figure 7).
J. Apply gusset plates to mull joints using two 1/2", 16 gauge staples per side (figure 8).
- none on DH & door sills.
- may need to be removed later if subsill is applied.

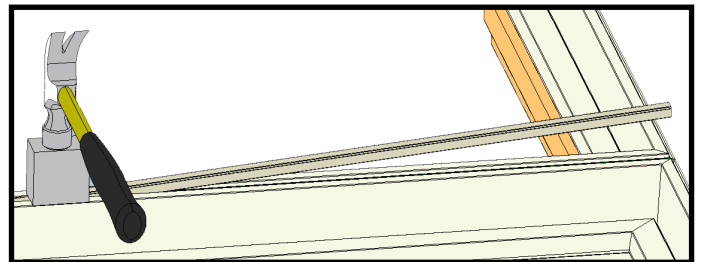


Figure 7

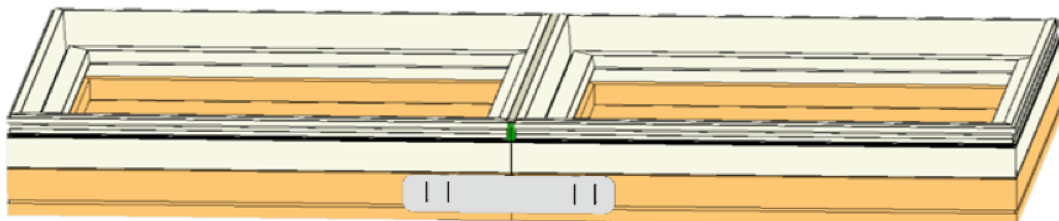


Figure 8